



TRUE<sup>®</sup>

CATALOGUE 2023



**TRUE was born out of the desire to do a lot with a little. Our mission is to create multi-functional tools that fit in your pocket, allowing you to tackle anything without having to quit, disrupt or postpone your daily activities.**

TRUE is not just a name; it's what the brand is about. The TRUE mission is to create products that maximize preparedness, while minimizing the space a product occupies by eliminating unnecessary bells and whistles. Our goal is to provide a wide range of portable, lightweight products that not only fit in your pocket (or bag or backpack) but also fit in your lifestyle enabling you to do a lot with a little, no matter where you are.



**65**  
COUNTRIES  
WORLDWIDE



### Contents

■ NEW ARRIVALS	p4-8
■ SWIFT EDGE RANGE	p9-11
■ POCKET KNIVES	p12-21
■ POCKET TOOLS	p22-35
■ KEYRING ORGANISERS	p36-37
■ MULTI TOOLS	p38-43
■ FLASHLIGHTS	p44-48
■ POCKET LIGHTERS	p49-50
■ DISPLAYS	p51-54



**27**  
UNIQUE PATENTS  
+ 40 registered designs

TRU-ACC-1001-G

# PLASMA LIGHTER

## Rechargeable Arc Lighter

The TRUE PLASMA LIGHTER is flameless, fuel-free, rechargeable, lightweight, and easy to use. On a full charge, the Plasma Lighter offers the equivalent of over 300 matches in a compact design that easily fits in your pocket. The retractable and flexible neck makes it safer to use for a variety of lighting tasks.

Relying on plasma arc technology that is windproof up to 80 MPH and the rugged design is water-resistant and even floats so it can handle whatever mother nature throws at you. The reinforced ABS body and rubberised exterior is rugged and impact resistant, so it is built to last.

### FEATURES

- Plasma Arc Technology
- Retractable, Flexible Neck Igniter
- Wind-Proof Up To 80 Mph
- 300+ Ignitions On A Single Charge
- Flameless & Fuel-Free
- Compact & Lightweight
- Impact-Resistant
- Protective Locking Cover
- Water-Resistant Ipx6 Rated
- Usb-C Rechargeable
- Long-Life 220mah Lithium Polymer Battery
- Power/Charge Indicator
- Push-Button Activation

### DIMENSIONS

- 84mm (H) X 49mm (W) X 18mm (D)
- Weight: 65 Grams

### MATERIALS

- Rugged ABS Plastic / Zinc Alloy

### NATRALOCK PACKAGING

Recyclable packaging with eurohook slot.

- 192mm (H) X 125mm (W) X 38mm (D)
- Inner Carton: 8 / Outer Carton: 48



DIAGRAM NOT TO SCALE



TRU-ACC-1002-G

# KNIFE SHARPENER

## Mycro Keychain Knife Sharpener

Small enough to fit on your keyring, the **KNIFE SHARPENER** easily brings your favourite blades back to life. The two-step sharpening system features Carbide and Ceramic sharpening slots to restore dull blades and provide perfectly finished edges, so that you can get back to the task at hand.

The TPR grip is ergonomically designed to fit your thumb and index finger to securely grip the sharpener when in use. The initial pass of a straight-edge blade through the Tungsten Carbide coarse sharpener will knock down any rough blade edges, whilst the refining pass through the Ceramic sharpener is designed to hone and finish a sharp edge.

### FEATURES

- Tungsten Carbide Coarse Sharpener
- Ceramic Fine Sharpener
- Thermoplastic Rubber (TPR)
- Grip Lanyard Hole
- Anodised Aluminium Construction

### COMPATIBLE WITH:

- All Straight Edge Blades

### DIMENSIONS

- 50mm (H) X 27mm (W) X 6mm (D)
- Weight: 65 Grams

### MATERIALS

- Body: Anodised Aluminium
- Grip: TPR
- Sharpeners: Tungsten Carbide / Ceramic

### NATRALOCK PACKAGING

Recyclable packaging with eurohook slot.

- 145mm (H) X 120mm (W) X 10mm (D)
- Inner Carton: 8 / Outer Carton: 48



**VERSATILE**  
IDEAL FOR SHARPENING  
POCKET KNIVES, FIXED  
BLADES & MORE

**EDC READY**  
INTEGRATED LANYARD  
HOLE FOR EASY CARRY



FRONT FACE

**TPR GRIP & ALUMINIUM  
CONSTRUCTION**  
ERGONOMICALLY DESIGNED FOR YOUR  
THUMB & INDEX FINGER TO EASILY GRIP

**TUNGSTEN CARBIDE  
COARSE SHARPENER**  
DESIGNED FOR THE INITIAL PASS TO  
KNOCK DOWN ROUGH EDGES



REAR FACE

**CERAMIC FINE  
SHARPENER.**  
DESIGNED FOR THE REFINING PASS TO  
HONE AND FINISH SHARP EDGES

DIAGRAM NOT TO SCALE



TRU-ACC-1002-G

# TWEEZERTOOL+

Full Size Tweezers + Blade & Tools

Introducing the **TWEEZER TOOL+** the essential micro toolkit that you can take anywhere!

This handy tool is designed with a quick-release key chain clip, so you can always have it on hand. It features full-size tweezers, a bottle opener, driver, file, cutter, and non-locking blade, all crafted from 420-grade stainless steel and a black titanium-coated stainless steel blade.

With this tool, you'll be ready for anything! With the **TWEEZER TOOL+**, you have all the essentials you need for life's everyday tasks in one convenient and compact package.

## FEATURES

- Full-Size Tweezers
- Small Flat Driver
- Flight-Safe Cutter
- File
- Bottle Opener
- 40mm Drop Point Blade
- Fingernail Cleaner
- Keyring Attachment & Tweezer Lock

## DIMENSIONS

- 85mm (H) X 10mm (W) X 5mm (D)
- Weight: 19 Grams

## MATERIALS

- Frame: 420 Grade Stainless Steel
- Blade: Black Titanium Coated Stainless Steel

## NATRALOCK PACKAGING

Recyclable packaging with eurohook slot.

- 181mm (H) X 125mm (W) X 5mm (D)
- Inner Carton: 8 / Outer Carton: 48

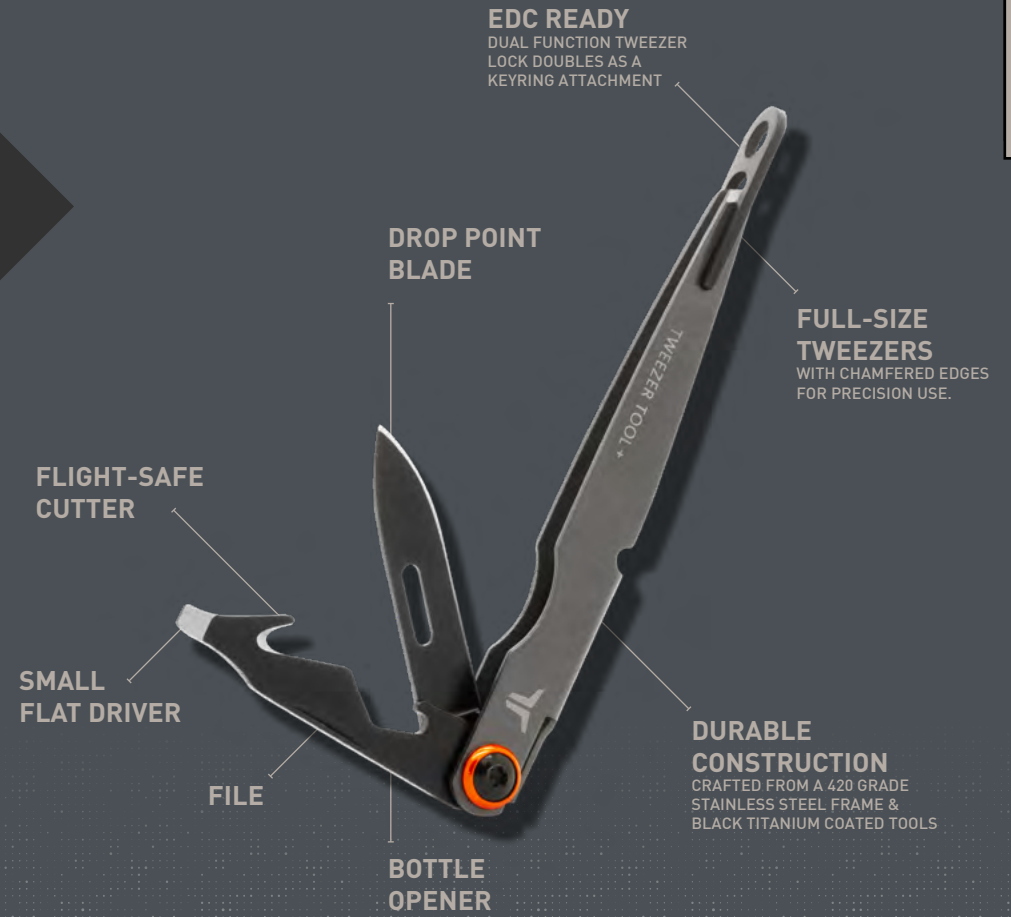


DIAGRAM NOT TO SCALE



TU7061N

# MODERN KEYCHAIN KNIFE

## Modern, Compact & Stylish Keyring Companion

The MODERN KEYCHAIN KNIFE is a compact knife with stylish, modern design.

This perfectly sized knife features a carabiner clip to easily and quickly attach and remove from your keychain.

The 1.5" clip point blade is crafted from 8Cr13MoV stainless steel, in a black oxidised finish.

### FEATURES

- Bottle Opener
- Large Flat Screwdriver
- Quick Release Clip
- Pry Bar / Scraper
- Non Locking (U.K. Legal Blade)

### DIMENSIONS

- 75/115mm (H) X 19mm (W) X 9mm (D)
- Weight: 37 Grams

### MATERIALS

- Blade: Black Oxide / Mirror Polish 8cr13mov Stainless Steel
- Handle: Aircraft Grade Anodised Aluminium

### NATRALOCK PACKAGING

Recyclable packaging with eurohook slot.

- 168mm (H) X 126mm (W) X 20mm (D)
- Inner Carton: 8 / Outer Carton: 48



**BUILT-IN CARABINER**  
QUICKLY ATTACH AND REMOVE FROM YOUR KEYRING

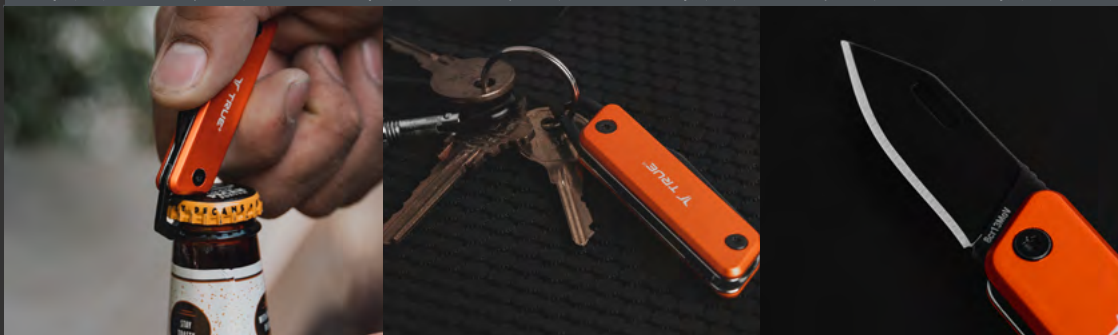
**8cr13MoV STEEL**  
BETTER CORROSION RESISTANCE AND EDGE RETENTION

**3.8MM CLIP POINT BLADE**  
PIERCING TIP AND PLENTY OF CUTTING EDGE FOR SLICING

**VERSATILE**  
CARABINER ALSO FUNCTIONS AS A PRYBAR, SCREWDRIVER & A BOTTLE OPENER

**COMPACT & STYLISH**  
THE PERFECT EVERYDAY CARRY COMPANION

DIAGRAM NOT TO SCALE



TRU-DSP-1001-G

# TRUE DISPLAY

RECYCLABLE CARD SLOTTED TRAY

### DIMENSIONS

- 1710mm (H) X 300mm (W) X 380mm (D)

### PACKAGING

- Inner Carton: 1

### COMPATIBLE WITH THESE PACKS





TRU-FMK-1004-G

# TRU MULTIBLADE KIT

## WITH GLASS FILLED NYLON HANDLE

The Multi Blade Replaceable Blade Knife with Glass filled nylon handle allows you to stay focused on the task at hand without wasting time sharpening blades.

The secure, two-step blade release system gives great cutting control and provides simple blade replacement. Doing the job right requires having the right tools.

The Replaceable Blade Knife comes with four blades: one partially-serrated Tanto blade, two fine edge drop point blades and one saw blade. The knife comes with a steel pocket / belt clip and a blade storage case for convenient carry.

### BLADE SPECS

- 9cm Partially Serrated Tanto: Black Oxide Coated 5Cr13 Steel
- 9cm Drop Point (2): Black Oxide Coated 5Cr13 Steel
- 9cm Saw: Titanium Nitride Coated 65Mn Steel

### HANDLE SPECS

- Glass Filled Nylon
- Liner Lock
- Belt Clip

### DIMENSIONS

- 200mm (H) X 40mm (W) X 20mm (D)
- Weight: 112 Grams

### GIFT BOX PACKAGING

Recyclable packaging with eurohook slot.

- 274mm (H) X 140mm (W) X 34mm (D)
- Inner Carton: 6 / Outer Carton: 12



**INCLUDES / COMPATIBLE WITH**  
All 9cm TRUE Blades: Drop Point | Tanto | Saw  
& Blade Carry Case



TRU-FXK-1001-G

# TRUE HUNT PROCESSING KIT

## WITH TPR HANDLE

The Swift Edge Replaceable Hunt Processing Kit thermoplastic rubber handle allows you to stay focused on the task at hand without wasting time sharpening blades.

The secure, two-step blade release system gives great cutting control and provides simple blade replacement. Doing the job right requires having the right tools.

The replaceable blade knife comes with four blades, each blade designed for the task at hand. The knife comes with a 4-position steel clip and a blade storage case for convenient carry.

### BLADE SPECS

- 10cm Gut Hook: Titanium Nitride Coated 5Cr13 Steel
- 15cm Fillet: Titanium Nitride Coated 5Cr13 Steel
- 20cm Butcher: Titanium Nitride Coated 5Cr13 Steel
- 20cm Saw: Titanium Nitride Coated 65Mn Steel

### HANDLE SPECS

- Thermoplastic Rubber (TPR)
- Lanyard and Carabiner Compatible

### DIMENSIONS

- 345mm (H) X 55mm (W) X 30mm (D)
- Weight: 132 Grams

### GIFT BOX PACKAGING

Recyclable packaging with eurohook slot.

- 425mm (H) X 195mm (W) X 50mm (D)
- Inner Carton: 6 / Outer Carton: 12



**INCLUDES / COMPATIBLE WITH**  
 10cm Gut Hook, 15cm Fillet, 20cm Saw, 20cm Butcher  
 with Molded Sheath & Knife Roll



TRU-FXK-1000-G

# FISH FILLET KIT

## WITH TPR HANDLE

The Swift Edge Replaceable Blade Fish Fillet Kit thermoplastic rubber handle allows you to stay focused on the task at hand without wasting time sharpening blades.

The secure, two-step blade release system gives great cutting control and provides simple blade replacement. Doing the job right requires having the right tools.

The replaceable blade knife comes with three varying sized fish fillet blades. The knife comes with a 4-position steel clip and a blade storage case for convenient carry.

### DIMENSIONS

- 345mm (H) X 55mm (W) X 30mm (D)
- Weight: 132 Grams

### GIFT BOX PACKAGING

Recyclable packaging with eurohook slot.

- 425mm (H) X 195mm (W) X 50mm (D)
- Inner Carton: 6 / Outer Carton: 12



### BLADE SPECS

- 15cm Fillet: Titanium Nitride Coated 5Cr13 Steel
- 19cm Fillet: Titanium Nitride Coated 5Cr13 Steel
- 24cm Fillet: Titanium Nitride Coated 5Cr13 Steel

### HANDLE SPECS

- Thermoplastic Rubber (TPR)
- Lanyard and Carabiner Compatible



### INCLUDES / COMPATIBLE WITH

15cm Fillet, 19cm Fillet, 24cm Fillet  
with Molded Sheath & Knife Roll



TU7059 / TU7060 / TU7061

# MODERN KEYCHAIN KNIFE

Modern, Compact & Stylish Keyring Companion

The MODERN KEYCHAIN KNIFE is a compact knife with stylish, modern design.

This perfectly sized knife features a carabiner clip to easily and quickly attach and remove from your keychain.

The 1.5" clip point blade is crafted from 8Cr13MoV stainless steel, in both a mirror and black oxidized finish.

The Modern Keychain knife is available in a choice of 3 colours and blade finishes:

## OPTIONS

- Orange / Black Oxide
- Black / Mirror Polish
- Gun Metal / Black Oxide

## FEATURES

- Bottle Opener
- Large Flat Screwdriver
- Quick Release Clip
- Pry Bar / Scraper
- Non Locking (U.K. Legal Blade)

## DIMENSIONS

- 75/115mm (H) X 19mm (W) X 9mm (D)
- Weight: 37 Grams

## MATERIALS

- Blade: Black Oxide / Mirror Polish 8cr13mov Stainless Steel
- Handle: Aircraft Grade Anodised Aluminium

## NATRALOCK PACKAGING

Recyclable natralock packaging with eurohook slot.

- 195mm (H) X 110mm (W) X 25mm (D)
- Inner Carton: 6 / Outer Carton: 12

## DISPLAY & GIFT BOX

Also available in countertop display & fully recyclable gift box. Showcases 3 pieces in front, holding 18 gift boxes in total.

- Inner Carton: 12 / Outer Carton: 60
- 150mm (H) X 285mm (W) X 265mm (D)



DIAGRAM NOT TO SCALE



TU582K

# SLIP KNIFE

## Keychain Knife + Essential Toolkit

The SLIP KNIFE is a stylishly thin and ergonomic everyday carry knife, with an array of handy, essential tools built into the frame.

Using the indented thumbnail grip, simply pull open the non-locking blade and rotate into the open position.

### FEATURES

- Bottle Opener
- Medium Flat Screwdriver
- Keyring Attachment
- Pry Bar / Scraper
- Non Locking (U.K. Legal Blade)
- Aircraft Grade Anodised Aluminium Handle

### DIMENSIONS

- 84/135mm (H) X 8mm (W) X 18mm (D)
- Weight: 31 Grams

### MATERIALS

- Blade: Black Oxide 420 Grade Stainless Steel
- Handle: Aircraft Grade Anodised Aluminium

### NATRALOCK PACKAGING

Free Keyring natralock packaging with hanging slot.

- 181mm (H) X 80mm (W) X 10mm (D)
- Inner Carton: 8 / Outer Carton: 80

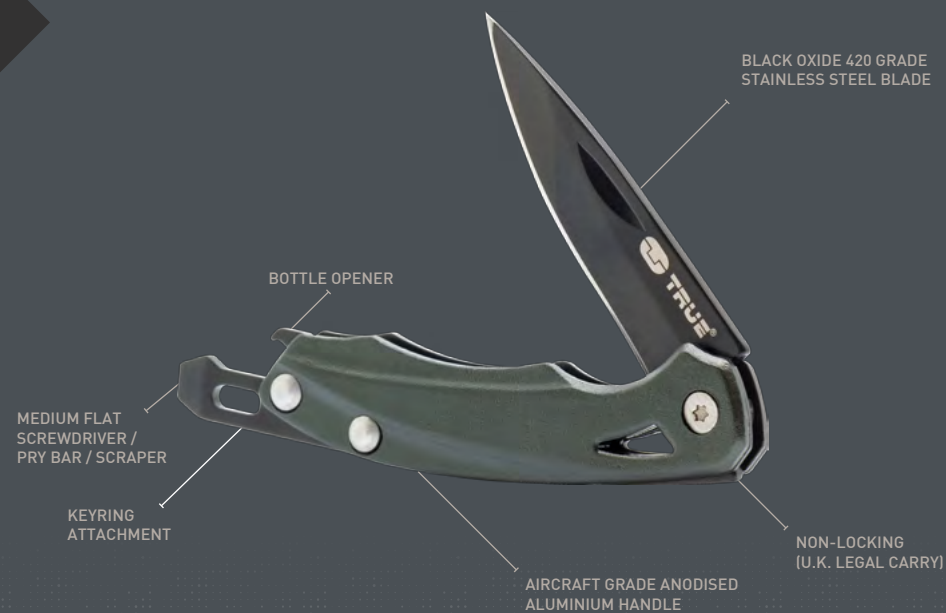


DIAGRAM NOT TO SCALE



TU6871

# TRUEBLADE

## Lightweight & Robust Outdoor Kit Knife

The TRUEBLADE is a lightweight, outdoor kit pocket knife.

With a 60mm partially serrated, black oxidised stainless steel blade; this skeleton framed, one handed opening lock knife is the perfect companion for any task.

Featuring a high visibility bright orange anodised aluminium back fillet, meaning you'll always find it in your kit bag or toolbox.

The anodised aluminium scales give improved grip and comfort for the jobs that require a bit more force.

### KNIFE

- Blade Shape: 60mm Drop Point
- Blade Edge: Semi-Serrated
- Blade Finish: Black Oxide
- Locking: Liner

### DIMENSIONS

- 107 (H) X 30mm (W) X 17mm (D)
- Weight: 91 Grams

### MATERIALS

- Blade: Black Oxidised 420 Grade Stainless Steel
- Back Fillet: Orange Anodised Aluminium

### NATRALOCK PACKAGING

Recyclable natralock packaging with eurohook slot.

- 195mm (H) X 110mm (W) X 20mm (D)
- Inner Carton: 6 / Outer Carton: 20

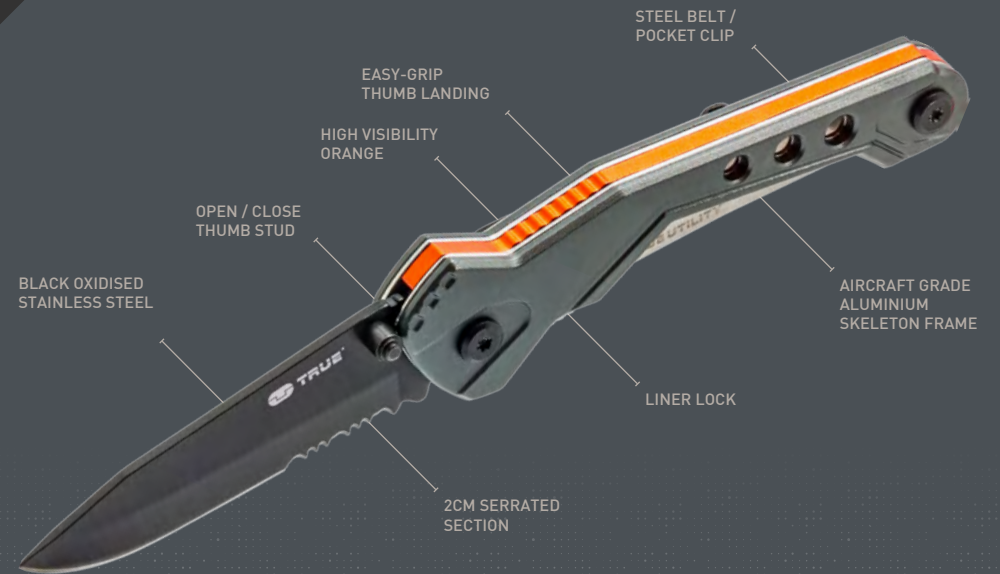


DIAGRAM NOT TO SCALE



TU6869

# SMARTKNIFE+

The Knife With 15 Essential Tools

The SMARTKNIFE+ features a black oxidised high grade stainless steel 60mm partially serrated (20mm) locking blade. It holds a medium Phillips driver bit in the dedicated magnetic holder. This bit fits into the bit driver at the head of the tool.

Smartknife+ Sports 5 wrenches and 3 wire strippers, a pry bar function – ideal for removing unwanted nails, ruler, and a pocket clip and bottle opener – you couldn't ask for much more in a smart knife.

## FEATURES

- 60mm Partially Serrated Blade
- Liner Lock
- Steel Belt/Pocket Clip
- 6mm - 14mm Wrenches
- 3x Wire Strippers
- Magnetic 1/4" Driver Slot + Phillips Bit
- Small & Medium Flat Drivers
- CM/INCH Rulers
- Pry Bar
- Bottle Opener

## DIMENSIONS

- 110 (H) X 42mm (W) X 16mm (D)
- Weight: 121 Grams

## MATERIALS

- Blade: 420 Grade Stainless Steel
- Handle: Aircraft Grade Aluminium

## NATRALOCK PACKAGING

Recyclable natralock packaging with eurohook slot.

- 195mm (H) X 110mm (W) X 20mm (D)
- Inner Carton: 6 / Outer Carton: 20

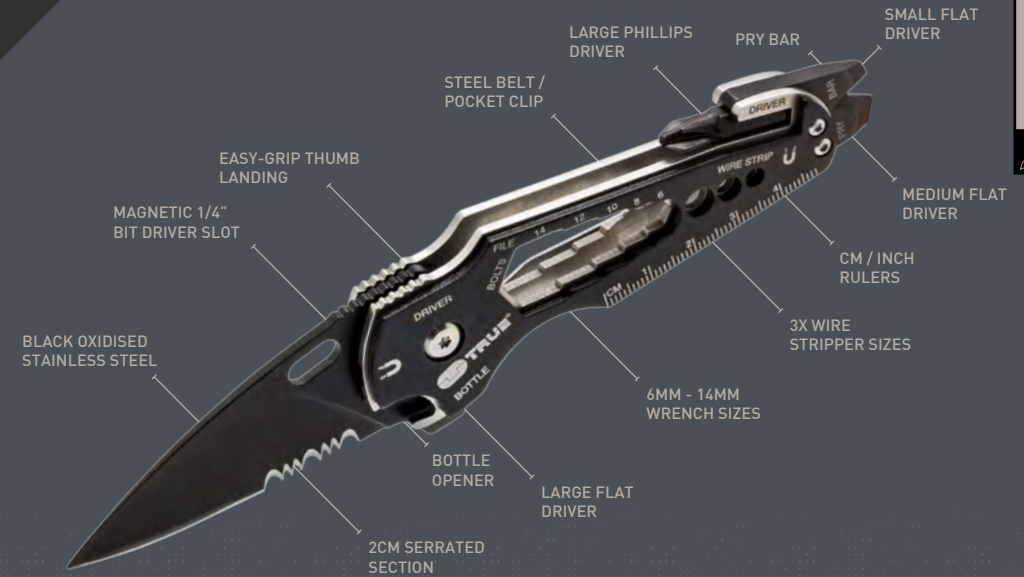


DIAGRAM NOT TO SCALE



TU583K

# BOXCUTTER

Mini Craft Knife + Essential Tools

The **BOXCUTTER** is sleek and minimalistic.

Don't be fooled by the simplistic design, as this mini craft knife with quick change blade has hidden features such as a bottle opener, flat screwdriver and scraper.

## FEATURES

- Fits Standard Utility Blades
- Blade Safety Lock
- Easy-Grip Thumb Landing
- Quick-Release Military Style Clip
- Large Flat Driver + Scraper
- Stainless Steel Body
- Bottle Opener
- Quick-Change Feature

## DIMENSIONS

- 80 (H) X 30mm (W) X 9mm (D)
- Weight: 46 Grams

## MATERIALS

- Frame: Cast 420 Grade Stainless Steel
- Clip Gate: Black Titanium Coated

## NATRALOCK PACKAGING

Free Keyring natralock packaging with hanging slot.

- 181mm (H) X 80mm (W) X 11mm (D)
- Inner Carton: 8 / Outer Carton: 80

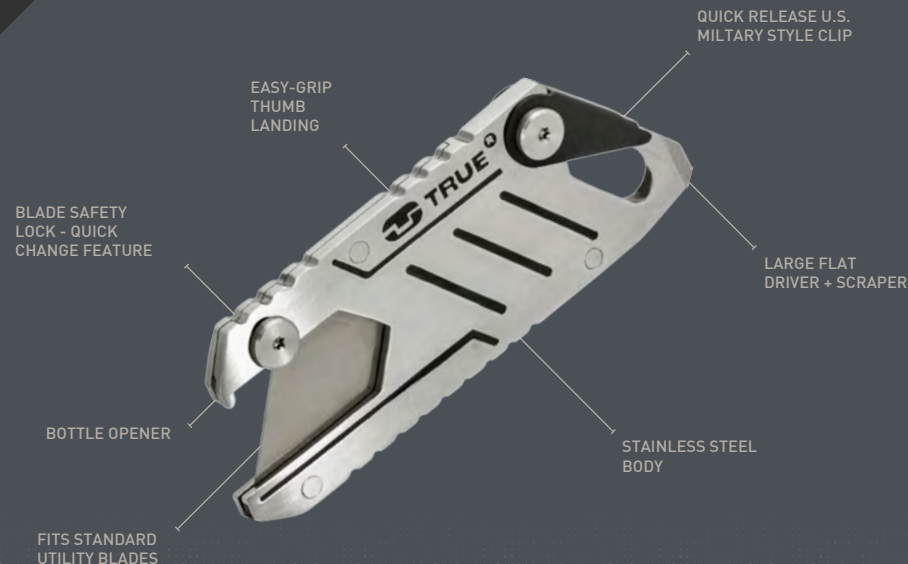


DIAGRAM NOT TO SCALE





TU590

# CRAFTY

## Personal Folding Utility Knife

The CRAFTY is a personal utility knife that clips to anything.

Featuring a folding blade guard that becomes a handle, and a quick release carabiner clip that also works as a secure finger hole.

Plus its built in sprung clip enables it to be easily attached to your clothing, bag, or keyring.

### FEATURES

- Fits Standard Utility Blades
- Blade Safety Lock
- Easy-Grip Thumb Landing
- Quick-Release Military Style Clip
- Black Titanium Coated Folding Handle
- Stainless Steel Body
- Quick-Change Blade Feature

### DIMENSIONS

- 110 (H) X 26mm (W) X 9mm (D)
- Weight: 81 Grams

### MATERIALS

- Frame: 420 Grade Stainless Steel
- Clip Gate: Black Titanium Coated

### NATRALOCK PACKAGING

Free Keyring natralock packaging with hanging slot.

- 180mm (H) X 80mm (W) X 12mm (D)
- Inner Carton: 6 / Outer Carton: 60

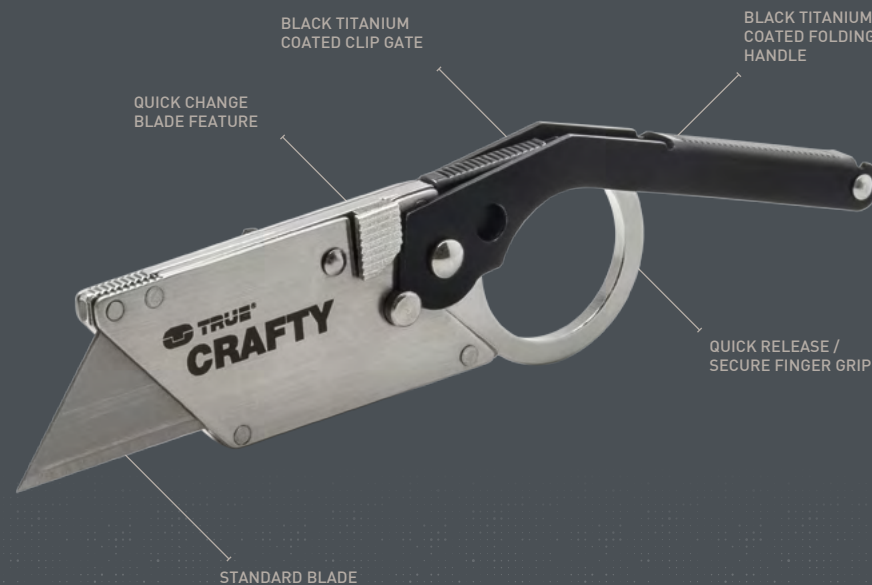
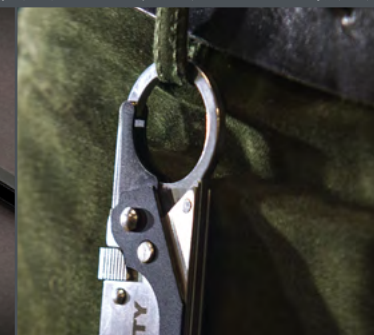


DIAGRAM NOT TO SCALE



TU571K

# SKELETONKNIFE

## Small Skeleton Framed Pocket Knife

The unusual design of this folding **SKELETONKNIFE** not only adds style, but enables it to be opened with a one-handed motion, making it an easy and secure tool to use.

The silver SkeletonKnife is small and lightweight, making it comfortable and easy to carry. Perfectly pocket and hand sized, it can also clip on to your belt or hang from a keyring with the lanyard hole.

### FEATURES

- Drop Point Blade
- Liner Lock
- Ergonomic Grip
- ABS Plastic Blade Stop
- Steel Belt Clip
- 420 Grade Stainless Steel Body

### DIMENSIONS

- 63 / 108mm (H) X 24mm (W) X 6mm (D)
- Weight: 27 Grams

### MATERIALS

- Frame: Cast 420 grade stainless steel
- Blade Stop: ABS

### NATRALOCK PACKAGING

Free Keyring natralock packaging with hanging slot.

- 181mm (H) X 80mm (W) X 8.5mm (D)
- Inner Carton: 8 / Outer Carton: 80

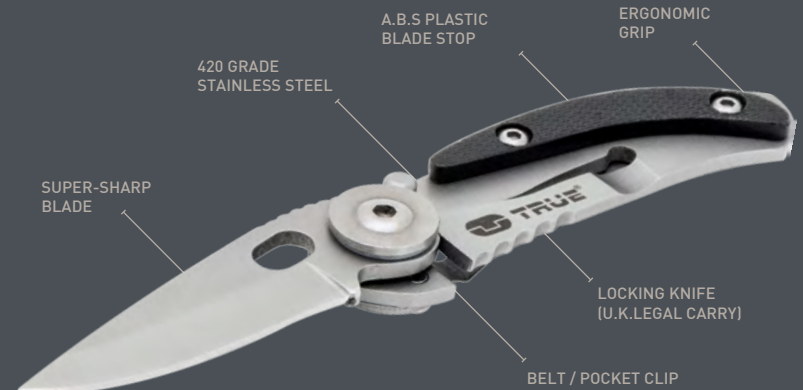


DIAGRAM NOT TO SCALE



TU573K

# SMARTKNIFE

The Knife That Thinks It's A Multi Tool

The knife that thinks it's a multi tool!

With its quick release clip that doubles as a bottle opener. The screwdriver aids one handed opening of the knife. With an array of useful wrenches, and its built in box cutter, this tool is sure to be your most useful companion.

Built from 420 grade stainless steel with anodised aluminium handles.

## FEATURES

- Drop Point Blade
- Bottle Opener
- Large Flat Screwdriver
- Centimeter Ruler
- Quick-Release Belt/Pocket Clip
- Razor Cutter
- 4, 6, 8, 10 + 12mm Wrenches

## DIMENSIONS

- 99 / 155mm (H) X 33mm (W) X 11mm (D)
- Weight: 75 Grams

## MATERIALS

- Frame: Anodised Aluminium
- Blade & Tools: 420 Grade Stainless Steel

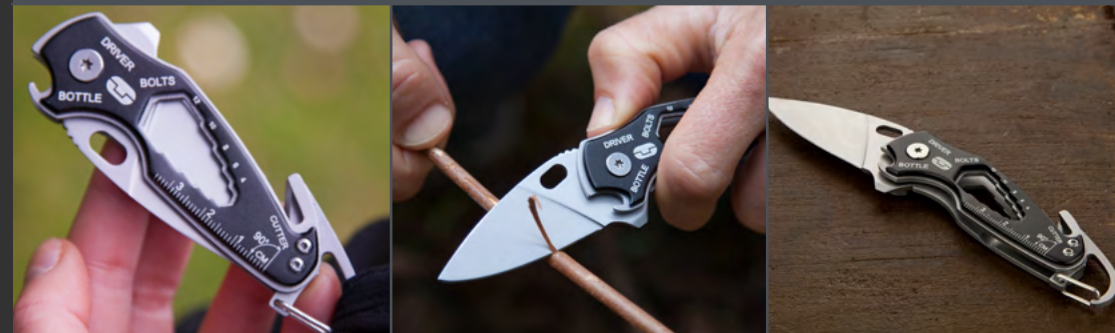
## NATRALOCK PACKAGING

Free Keyring natralock packaging with hanging slot.

- 192mm (H) X 80mm (W) X 11mm (D)
- Inner Carton: 8 / Outer Carton: 80



DIAGRAM NOT TO SCALE



TU576K

# JACKNIFE

Small, Robust & Tough Knife

The JACKNIFE is a very tough pocket knife that doesn't compromise on anything.

With its Olive wooden handle and fine sandblasted blade; the quality of this knife is second to none.

The blade folds in and out with ease and attaches to your belt or pocket.

## FEATURES

- Drop Point Blade
- Steel Belt/Pocket Clip
- Olive Wood Handle
- Liner Lock

## DIMENSIONS

- 75 / 122mm (H) X 17mm (W) X 33mm (D)
- Weight: 72 Grams

## MATERIALS

- Frame: Anodised Black Aluminium
- Blade: Fine Sandblasted Stainless Steel
- Handle: Olive Wood

## NATRALOCK PACKAGING

Free Keyring natralock packaging with hanging slot.

- 181mm (H) X 80mm (W) X 10mm (D)
- Inner Carton: 8 / Outer Carton: 80



DIAGRAM NOT TO SCALE



TU580K

# BARE

## Ultimate Stripped Back Minimalist Design

The BARE Knife is exactly as advertised, a knife that's been stripped down to the bare essentials to provide a strong yet lightweight design.

Weighing only 18g and constructed from a high grade stainless steel, the Bare Knife is a tough and reliable tool for work or everyday use, whilst still being light and small enough to fit comfortably into your pocket.

### FEATURES

- Drop Point Blade
- Minimalistic Design
- Black Titanium Blade Coating
- Quick-Release Pin
- Split-Ring Locking Mechanism
- 420 Grade Stainless Steel
- Weighs Only 18g

### DIMENSIONS

- 61 / 109mm (H) X 15mm (W) X 10mm (D)
- Weight: 18 Grams

### MATERIALS

- Frame: 420 Grade Stainless Steel
- Blade: Black Titanium Coated Stainless Steel

### NATRALOCK PACKAGING

Free Keyring natralock packaging with hanging slot.

- 181mm (H) X 80mm (W) X 12mm (D)
- Inner Carton: 8 / Outer Carton: 80



DIAGRAM NOT TO SCALE



TRU-MTL-0002-G

# DUAL CUTTER

## Two-In-One Cutting Tool

The **DUAL CUTTER** is a sleek, 2-in-1 cutting tool that houses a 7cm fine edge Tanto blade and a pair of spring-loaded, 4cm micro-serrated scissors.

The triangular shape of the Tanto blade provides increased tip strength for piercing tasks and creates two distinct sharpened edges for added functionality.

The micro-serrations of the scissors allow for extra grip, which means a stronger edge and steadier, more precise cuts.

### DIMENSIONS

- 100mm (H) X 30mm (W) X 20mm (D)
- Weight: 204 Grams

### NATRALOCK PACKAGING

Recyclable packaging with eurohook slot.

- 195mm (H) X 110mm (W) X 25mm (D)
- Inner Carton: 6 / Outer Carton: 12

### KNIFE

- Blade Shape: 7cm Tanto
- Blade Edge: Fine Edge
- Blade Finish: Sand Blasted
- Locking: Liner

### SCISSORS

- Action: Spring-Loaded
- Blade Edge: 4cm Micro-Serrated
- Blade Finish: Satin

### MATERIALS

- Blade / Scissors: 3Cr13 Stainless Steel
- Handle: Anodised Aluminium



**LINER LOCK**  
ONE-HANDED BLADE DEPLOY

**SHARP**  
STRONG 8CR13MOV  
STAINLESS STEEL BLADE

**DURABLE**  
COMPACT ANODISED ALUMINIUM  
BODY IS STRONG AND RELIABLE

**POCKET CLIP**  
SECURELY CARRY WITH  
YOU EVERY DAY

**FULL-SIZED SCISSORS**  
SPRING LOADED WITH  
MICRO SERRATIONS

DIAGRAM NOT TO SCALE

TRU-PEN-0002-G

# TRU PEN & KNIFE SET

## Two-In-One Cutting Tool

The True PEN & KNIFE SET is a perfect addition to your list of every day carry essentials.

Versatile and compact, this set features a replaceable #11 steel blade, smooth German ink ballpoint pen, a stylus tip and a dual-sided micro bit driver.

### DIMENSIONS

- 80mm (H) X 10mm (W) X 10mm (D)
- Weight: 56 Grams

### GIFT BOX PACKAGING

Recyclable gift box.

- 195mm (H) X 110mm (W) X 25mm (D)
- Inner Carton: 6 / Outer Carton: 12

### FEATURES

- Primary Material: Anodised Aluminium
- Secondary Material: Brass Plate
- Blade Shape: Replaceable #11 Blade
- Blade Material: Steel
- Ink Refill: D1 Style German Ink
- Stylus Tip
- Micro Driver Bit (Flat & Phillips)

### MATERIALS

- Primary Material: Anodised Aluminium
- Secondary Material: Brass Plate

### DISPLAY

Rigid carboard and foamex countertop display showcases one piece in front, and holds 12 pieces in total.

- 227mm (H) X 266mm (W) X 230mm (D)



**FEATURE RICH,  
STYLISH DESIGN**  
PACKED WITH FEATURES  
IN A STYLISH BODY

### COMPACT

LOW PROFILE, HIGH FUNCTIONALITY

**GERMAN INK**  
DELIVERS A SMOOTH  
WRITING EXPERIENCE

**MICROBIT DRIVERS**  
MICRO PHILLIPS AND FLAT DRIVERS

### REPLACEABLE

### #11 BLADE

PRECISION CUTS, ON THE GO

DIAGRAM NOT TO SCALE



TU584K

# TWEEZER TOOL

## Essential Micro Keyring Toolkit

The **TWEEZER TOOL** is an essential micro toolkit with integrated, durable keyring tweezers, fold-out blade and tool. Securely carry with the secure 'twist-lock' mini carabiner clip.

### FEATURES

- Titanium coated tweezers
- 4cm non locking (U.K. Legal)
- Coarse file
- Small flat screwdriver
- Bottle opener
- Flight-safe cutter

### DIMENSIONS

- 57 / 97mm (H) X 80mm (W) X 60mm (D)
- Weight: 14 Grams

### MATERIALS

- Blade & Tool: Black Oxide Coated
- Frame: Titanium Coated 420 Grade Stainless Steel

### NATRALOCK PACKAGING

Free Keyring natralock packaging with hanging slot.

- 181mm (H) X 80mm (W) X 6mm (D)
- Inner Carton: 8 / Outer Carton: 80



DIAGRAM NOT TO SCALE





TU214K

# SHARKEY

Bite Sized Tool That Does It All

This key sized toolkit comes with a bite. Complete with 6 screwdrivers, it is also a prybar and bottle opener, as well as a thread cutter, file and box opener.

This is the smallest and coolest of multi tools, the **SHARKEY** will eat up daily chores. You will never leave home without Sharkey, being so small you will never even notice it is there - until you need it.

## FEATURES

- S, M & L Phillips Drivers
- S, M & L Flat Drivers
- 1/4" Hex Driver
- Flight-Safe Cutter
- Fingernail Cleaner
- Bottle Opener
- File
- Quick-Release Keyring Clip

## DIMENSIONS

- 68mm (H) X 25mm (W) X 8mm (D)
- Weight: 20 Grams

## MATERIALS

- Tool: 420 Grade Stainless Steel
- Bit Holders: Rubber

## NATRALOCK PACKAGING

Free Keyring natralock packaging with hanging slot.

- 181mm (H) X 80mm (W) X 10mm (D)
- Inner Carton: 8 / Outer Carton: 80

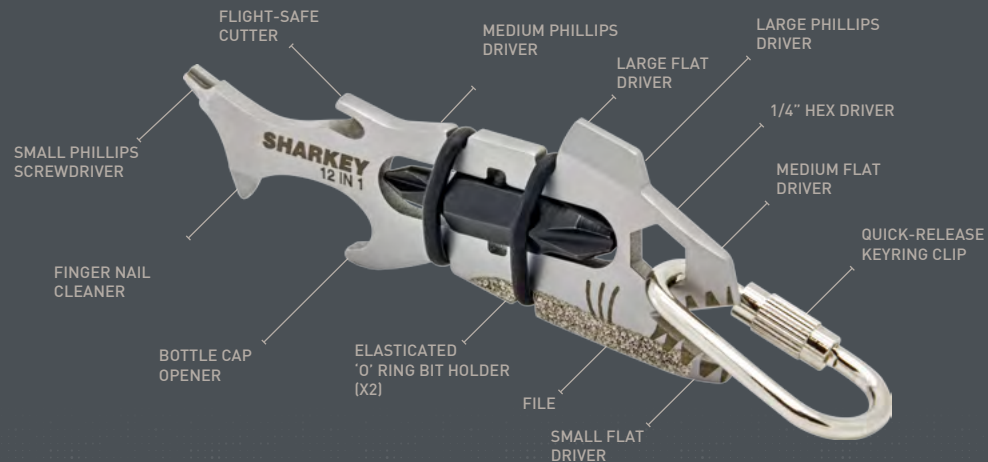


DIAGRAM NOT TO SCALE



TU207K

# CARDSMART

30 Tools... Credit Card Size

The CARDSMART is a multi tool that fits into your wallet. 30 tools for everyday carry that take up no more space than a credit card!

## FEATURES

- Small Phillips Driver
- Small, Medium & Large Flat Drivers
- 20 Wrench Sizes
- 1/4" Hex Drive
- Spoke Wrench
- Pry Bar
- Can & Bottle Openers
- Rulers
- Protractor
- Cutter

## DIMENSIONS

- 86mm (H) X 54mm (W) X 2mm (D)
- Weight: 40 Grams

## MATERIALS

- Tool: Black Titanium Coated 420 Grade Stainless Steel

## NATRALOCK PACKAGING

Free Keyring natralock packaging with hanging slot.

- 181mm (H) X 80mm (W) X 4mm (D)
- Inner Carton: 8 / Outer Carton: 80

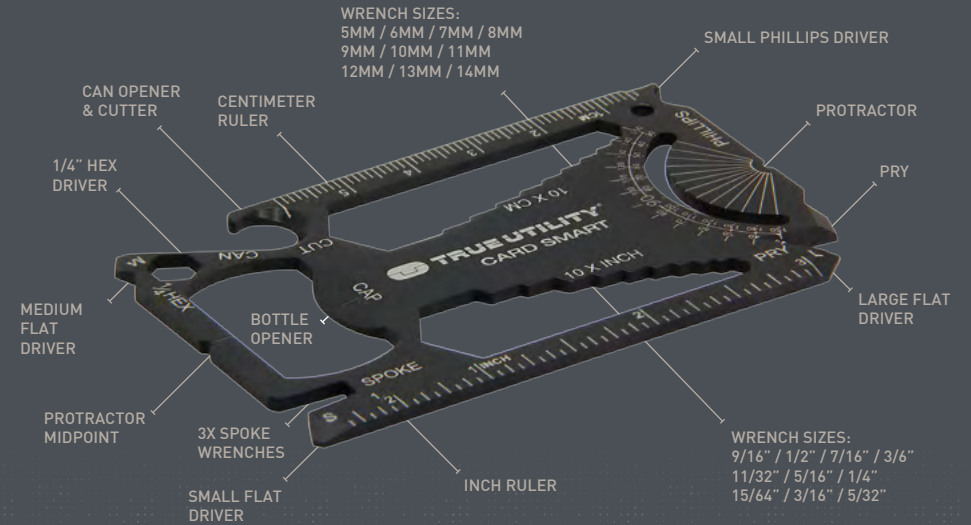


DIAGRAM NOT TO SCALE



TU206K

# FISHFACE

18 Tools - All In One

FishFace is the perfect pocket tool. It's an 18 tools in 1 multi functional micro multi tool.

Perfect for those every day tasks such as opening boxes, tightening screws and gaining entry into cold bottles of crisp, refreshing goodness.

Made from Black Titanium coated stainless steel. Fishface has a stunning visual appearance and strong construction!

## FEATURES

- 3x Phillips Drivers
- 3x Flat Drivers
- 4x Wrench Sizes
- 1/4" Hex Drive
- Spoke Wrench
- Pry Bar
- File & Nail Cleaner
- Bottle Opener
- Flight-Safe Cutter
- Rubber Bit Holder

## DIMENSIONS

- 90mm (H) X 18mm (W) X 9mm (D)
- Weight: 20 Grams

## MATERIALS

- Tool: Black Titanium Coated 420 Grade Stainless Steel
- Bit Holders: Rubber

## NATRALOCK PACKAGING

Free Keyring natralock packaging with hanging slot.

- 181mm (H) X 80mm (W) X 16mm (D)
- Inner Carton: 8 / Outer Carton: 80

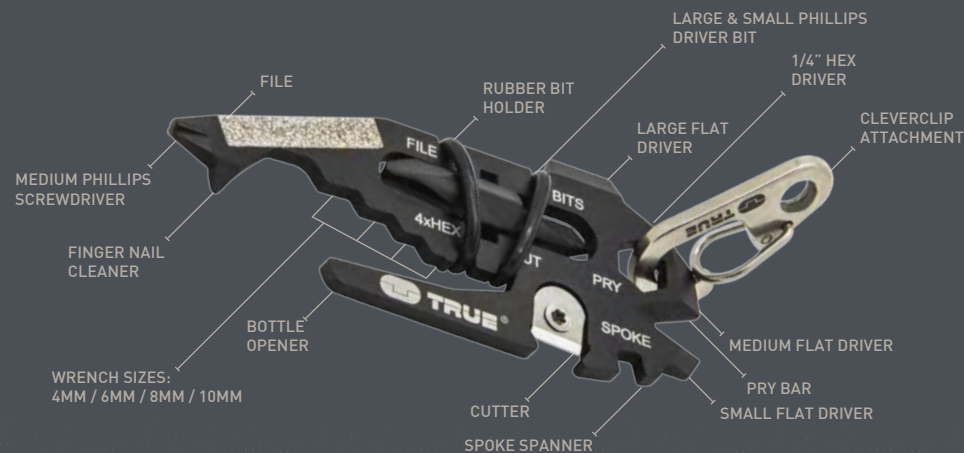


DIAGRAM NOT TO SCALE



TU251K

# CASHSTASH+

## Emergency Cash For Your Keyring

The CASHSTASH+ is a highly engineered cash capsule for your keyring.

The internal Cash clip secures one note of any currency on your key-ring.

As small as your key and waterproof. Makes a perfect gift, especially if you put cash in it!

### FEATURES

- Holds One Note (Any Currency)
- Waterproof
- Keyring Attachment
- Easy-Grip Design
- Internal Cash-Clip

### DIMENSIONS

- 43mm (H) X 16mm (W) X 16mm (D)
- Weight: 8 Grams

### MATERIALS

- Body: Anodised Aircraft Grade Aluminium
- O Ring: Rubber

### NATRALOCK PACKAGING

Free Keyring natralock packaging with hanging slot.

- 181mm (H) X 80mm (W) X 18mm (D)
- Inner Carton: 8 / Outer Carton: 80

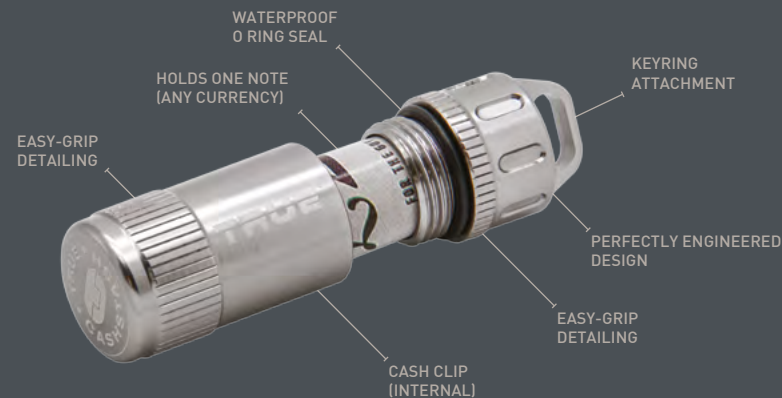


DIAGRAM NOT TO SCALE



TU208K

# MINIMALIST

## Designer Knife And Pocket Tool

The **MINIMALIST** is an efficiently designed pocket multitool with a massive 7 functions. Designed to be minimal alongside your keyring- The clue is in the name.

Crafted from 420 high grade stainless steel frame with a black titanium coated blade and tool, you can rely on the Minimalist to be sleek, yet extremely tough and durable. Clip to your person, bag or keyring for easy access using the built in carabiner clip.

Compact and lightweight, this tool makes a perfect addition to your keyring, blending in with your keys and other accessories.

### FEATURES

- Titanium Coated Blade
- Small & Large Flat Driver
- Flight-Safe Cutter
- File
- Small Phillips Driver
- Bottle Opener
- Carabiner Clip

### DIMENSIONS

- 86 / 126mm (H) X 20mm (W) X 12mm (D)
- Weight: 41 Grams

### MATERIALS

- Blade: Black Titanium Coated 420 Grade Stainless Steel
- Frame: 420 Grade Stainless Steel

### NATRALOCK PACKAGING

Free Keyring natralock packaging with hanging slot.

- 181mm (H) X 80mm (W) X 14mm (D)
- Inner Carton: 8 / Outer Carton: 80

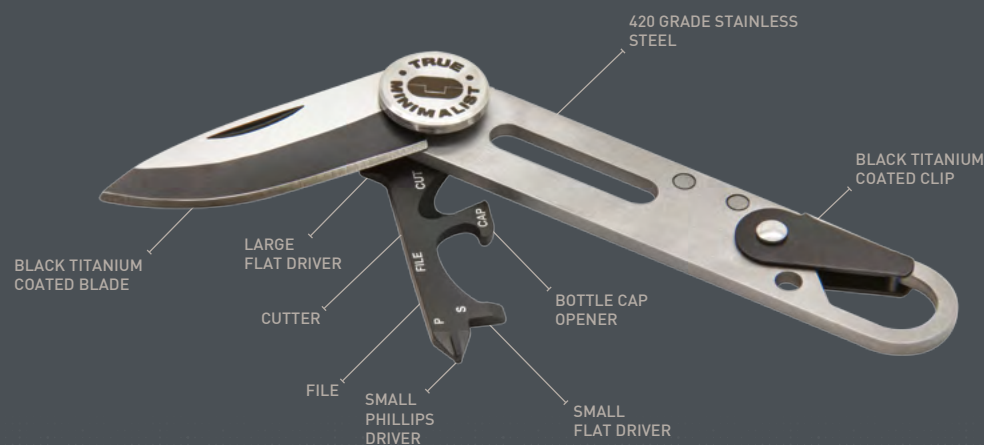


DIAGRAM NOT TO SCALE



TU247K

# KEYTOOL

The World's Smallest Multi Tool

This patented, super slim, stainless steel KEYTOOL simply wraps around your key with 8 essential daily tools. You won't even notice you are carrying it – until you need it!

This useful mini multi-tool takes up no extra room in your pocket, yet has eight fully functioning tools within it.

## FEATURES

- Tweezers
- Medium & Large Flat Drivers
- Eyeglass Driver
- Cutter
- Bottle Opener
- Fingernail Cleaner
- File

## DIMENSIONS

- 71mm (H) X 24mm (W) X 4mm (D)
- Weight: 12 Grams

## MATERIALS

- Frame: 420 Grade Stainless Steel

## NATRALOCK PACKAGING

Free Keyring natralock packaging with hanging slot.

- 181mm (H) X 80mm (W) X 6mm (D)
- Inner Carton: 8 / Outer Carton: 80

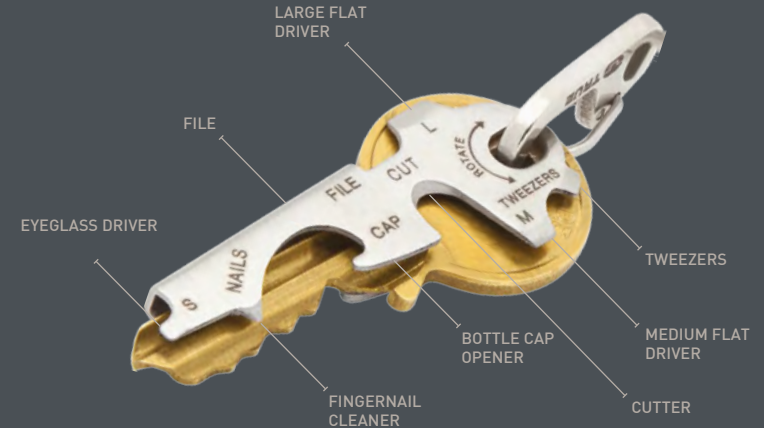
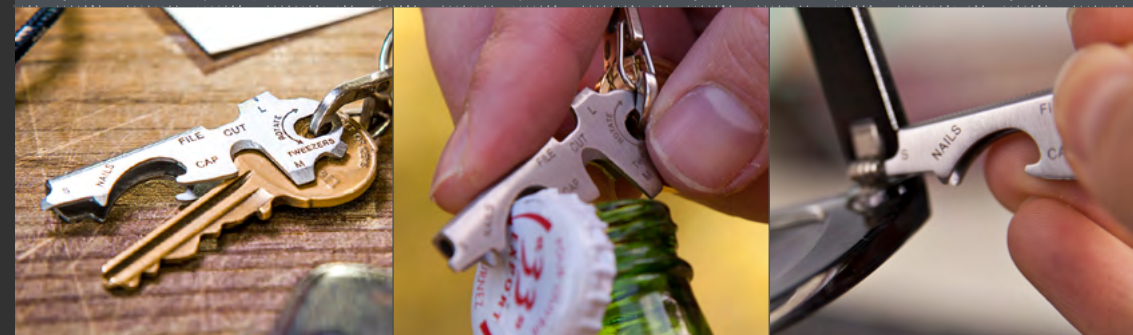


DIAGRAM NOT TO SCALE



TU200K

# FIXR

## 20 Tools In 1 - A Revolution In Multi Tools

The ideal flight-safe daily carry travel companion.

The FIXR provides you with a remarkable array of essential tools; including screwdrivers and wrenches, a pry bar, file, bottle opener, and even a hidden cutter and wire stripper.

From a bottle opener to a wire stripper you will be hard pushed to find a problem this tool can't fix.

### FEATURES

- Small, Medium & Large Flat Drivers
- Small & Medium Phillips Drivers
- Pry Bar
- Flight-Safe Cutter
- Wire Stripper
- Spoke Spanner
- 5x Wrench Sizes (6, 8, 10, 12 & 14mm)
- File
- Box Opener
- Quick-Release Carabiner / Bottle Opener

### DIMENSIONS

- 76mm (H) X 38mm (W) X 16mm (D)
- Weight: 102 Grams

### MATERIALS

- Frame: Black Titanium Coated 420 Grade Stainless Steel
- Disc: Gold Titanium Coated
- Blade: K5 Carbon Steel

### NATRALOCK PACKAGING

Free Keyring natralock packaging with hanging slot.

- 181mm (H) X 80mm (W) X 18mm (D)
- Inner Carton: 8 / Outer Carton: 80

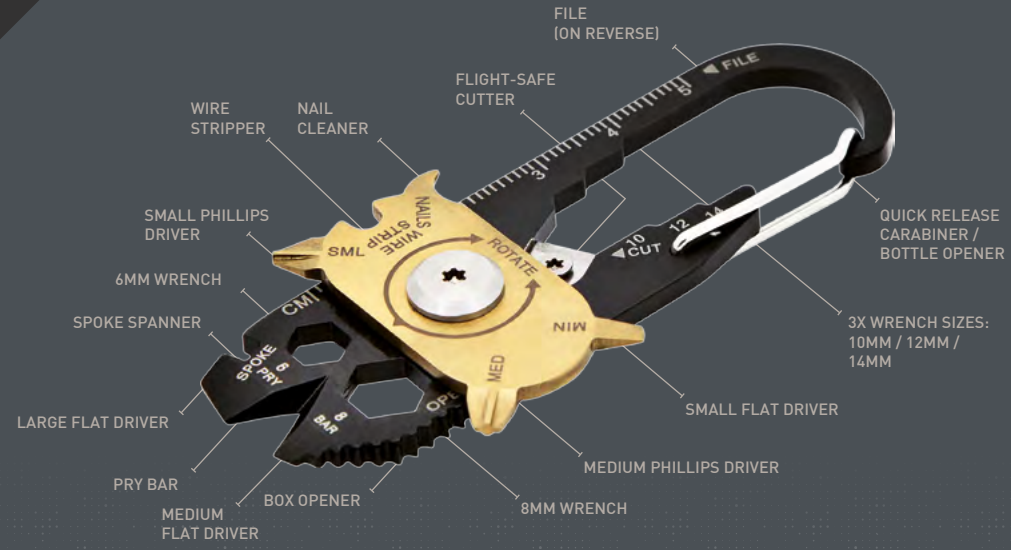


DIAGRAM NOT TO SCALE



TU246K

# TELEPEN

The Smallest Keyring Pen In The World

The TELEPEN is something to write home about!

This patented pen, engineered in stainless steel, measures only 50mm yet extends telescopically to 115mm.

With just one quick pull, it instantly extends and is ready to use.

## FEATURES

- Telescopic Extending Design
- Extends to 115mm
- 420 Grade Stainless Steel
- 3x Black Ink Refills Included
- Keyring Attachment

3X SPARE BLACK REFILLS INCLUDED

## DIMENSIONS

- 50 / 115mm (H) X 5mm (W) X 5mm (D)
- Weight: 14 Grams

## MATERIALS

- Body: 420 Grade Stainless Steel

## NATRALOCK PACKAGING

Free Keyring natralock packaging with hanging slot.

- 181mm (H) X 80mm (W) X 7mm (D)
- Inner Carton: 8 / Outer Carton: 80

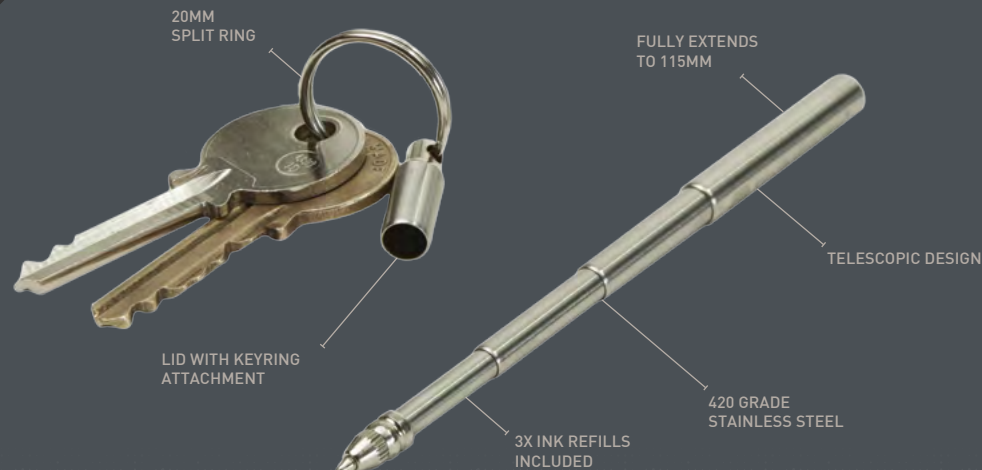


DIAGRAM NOT TO SCALE





TU258K

# TELESCOPIC PEN

The Best Keyring Pen, Ever!

The TELESCOPIC PEN is a patented pocket companion. It simply detaches from its powerful magnetic cap and extends to full length with just one tug.

Keep on your keyring and always have a full sized and comfortable pen at hand. Made from brushed stainless steel telescopic tubing and anodised aircraft grade aluminium outer casing.

## FEATURES

- Telescopic Extending Design
- Extends to 115mm
- 420 Grade Stainless Steel Tubing
- Anodised Aluminium Body
- 3x Black Ink Refills Included
- Magnetic Lid
- Keyring Attachment

3X SPARE BLACK REFILLS INCLUDED

## DIMENSIONS

- 61 / 101mm (H) X 13mm (W) X 13mm (D)
- Weight: 19 Grams

## MATERIALS

- Tubing: Brushed Stainless Steel
- Body: Anodised Aircraft Grade Aluminium

## NATRALOCK PACKAGING

Free Keyring natralock packaging with hanging slot.

- 181mm (H) X 80mm (W) X 15mm (D)
- Inner Carton: 8 / Outer Carton: 80

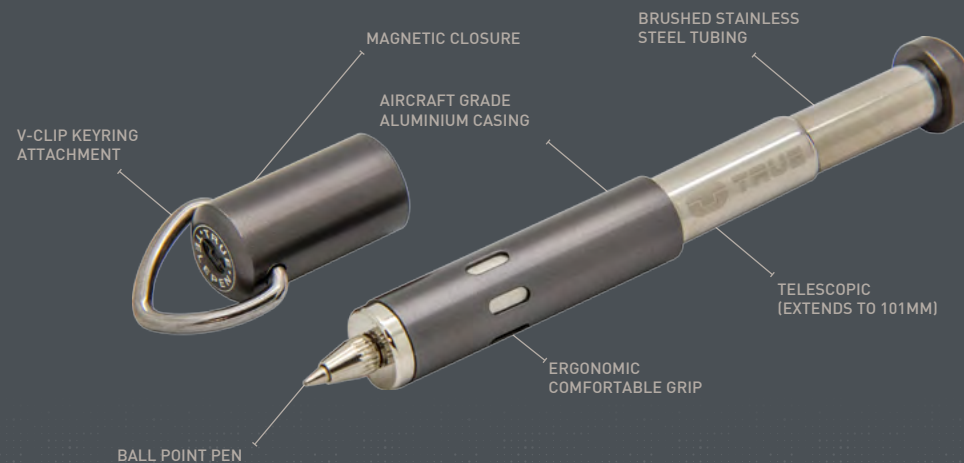


DIAGRAM NOT TO SCALE



TU248K

# TWISTICK

The Smallest Corkscrew In The World

The stainless steel bar passes through the Teflon coated full size corkscrew helix to create a fully functional corkscrew. Can be attached to your keyring or your bag.

TWISTICK Makes a great gift.

This patented product makes a perfect keyring companion for absolutely anyone who enjoys a nice bottle of wine.

## FEATURES

- Full-Size Corkscrew Helix
- 4mm Stainless Steel Leverage Bar
- Quick-Release Keyring Attachment
- Anodised Aluminium Body

## DIMENSIONS

- 67mm (H) X 10mm (W) X 8mm (D)
- Weight: 15 grams

## MATERIALS

- Bar: 422 Grade Stainless Steel
- Helix: Black Teflon Coated

## NATRALOCK PACKAGING

Free Keyring natralock packaging with hanging slot.

- 181mm (H) X 80mm (W) X 10mm (D)
- Inner Carton: 8 / Outer Carton: 80

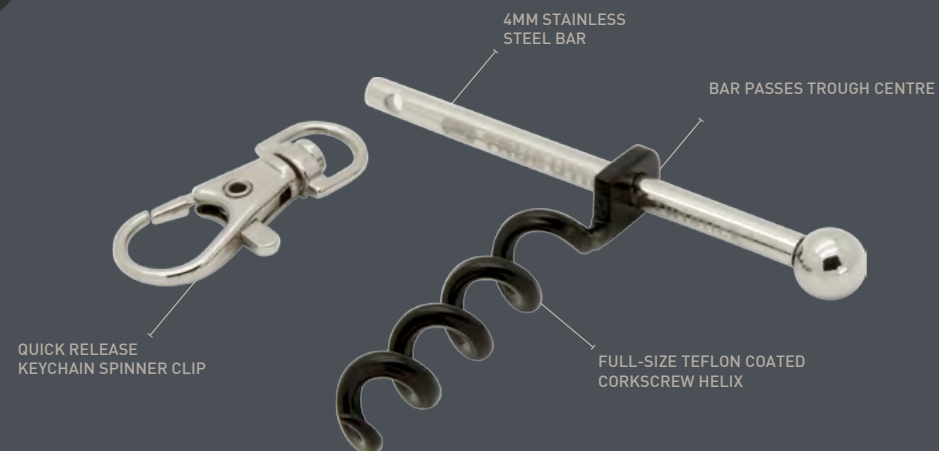


DIAGRAM NOT TO SCALE



TU215K

# NAILCLIP KIT

## Personal Nail Care Toolkit

Flick out nail clippers, nail file, screwdriver, scissors, knife and keyring attachment.

**NAILCLIP KIT** contains man sized, super strong and sharp nail clippers for the hardest nails.

The nail clippers spring out from the ergonomically shaped stainless steel body. It also houses a sharp blade, nail file, flat driver and a pair of self-sprung, sharp scissors.

### FEATURES

- Flick-Out Nail Clippers
- Micro Knife
- Self-Sprung Scissors
- Nail File
- Flat Driver
- Keyring Attachment

### DIMENSIONS

- 56mm (H) X 15mm (W) X 9mm (D)
- Weight: 35 Grams

### MATERIALS

- Body: 422 Grade Stainless Steel

### NATRALOCK PACKAGING

Free Keyring natralock packaging with hanging slot.

- 181mm (H) X 80mm (W) X 11mm (D)
- Inner Carton: 8 / Outer Carton: 20

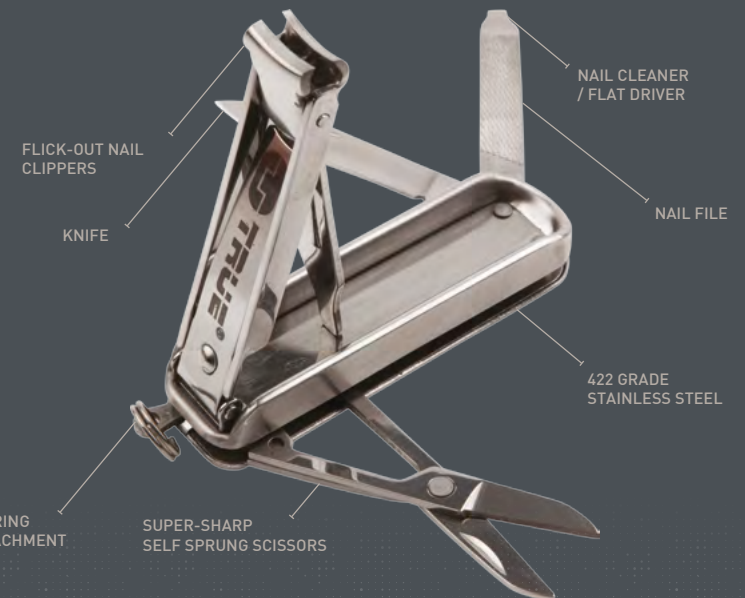


DIAGRAM NOT TO SCALE



TU920

# KEYRANGER

## Key Organiser + Multi Tool

The **KEYRANGER** is the slimmest securing system on the market. The Keyranger's genuine leather fob stops your keys scratching against your valuable belongings.

The removable clip features an integrated tool that is designed to fit, and tighten the key bolt.

Keyranger is supplied with a keytool with 7 essential functions.

### FEATURES

- Bottle Opener
- Flight-Safe Cutter
- Eyeglass Driver
- Medium & Large Flat Drivers
- Fingernail Cleaner
- File

### DIMENSIONS

- 56mm (H) X 15mm (W) X 9mm (D)
- Weight: 35 Grams

### MATERIALS

- Tool & Clip: Black Titanium Coated 420 Grade Stainless Steel
- Fob: Genuine Cowhide Leather

### NATRALOCK PACKAGING

Recyclable natralock packaging with eurohook slot.

- 270mm (H) X 125mm (W) X 12mm (D)
- Inner Carton: 6 / Outer Carton: 60

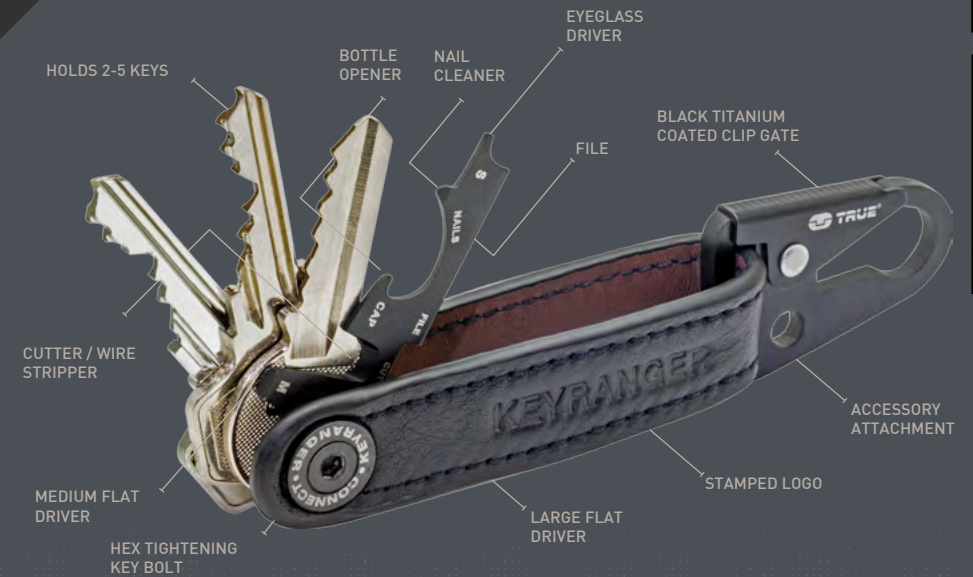


DIAGRAM NOT TO SCALE



TU921

# KEYSHACKLE+ TOOL

## Key Organiser + Multi Tool

The **KEYSHACKLE+ TOOL** is an outright attack on bulky, unnecessary keyrings. Keyshackle+ Tool can accommodate from 2 to 4 keys. Using the secure split ring, it couldn't be easier to replace your keys in seconds.

Featuring a genuine leather, hand stitched strap, U.S. military style black Titanium coated stainless steel clip and a unique 7-in-1 multi tool.

Keyshackle+ Tool is supplied with a keytool with 7 essential functions.

### FEATURES

- Bottle Opener
- Flight-Safe Cutter
- Eyeglass Driver
- Medium & Large Flat Drivers
- Fingernail Cleaner
- File

### DIMENSIONS

- 100mm (H) X 26mm (W) X 22mm (D)
- Weight: 25 Grams

### MATERIALS

- Clip: Black Titanium Coated 420 Grade Stainless Steel
- Fob: Genuine Cowhide Leather

### NATRALOCK PACKAGING

Recyclable natralock packaging with eurohook slot.

- 210mm (H) X 115mm (W) X 12mm (D)
- Inner Carton: 6 / Outer Carton: 60



DIAGRAM NOT TO SCALE



TRU-MTL-0004-G

# Ti POCKET MULTI TOOL

## All-In-One Locking Titanium Toolkit

The **TITANIUM POCKET MULTI TOOL** is a heavy-duty, all-in-one toolkit that houses a 70mm fine edge Sheepsfoot blade and a pair of spring-loaded Pliers & Wire Cutters.

A multi-tool that is focused on the core offering of tools that users are most interested in carrying, knife, pliers, screwdriver with an added saw, awl and bottle opener.

We took time to craft a set of tools that work as well as their full-size counterparts and made them all easy to access.

Each tool locks open and is easily closed with an intuitive lock release paddle.

### DIMENSIONS

- 103/160mm (H) X 36mm (W) X 20mm (D)
- Weight: 172 Grams

All the tools, except the pliers, have a Titanium Nitride coating to ensure long lasting durability.

The anodised aluminium scales give improved grip and comfort for the jobs that require a bit more force.

### KNIFE

- Blade Shape: 70mm Sheepsfoot
- Blade Edge: Fine Edge
- Blade Finish: 2cr13 Titanium Nitride
- Locking: Lockback

### MATERIALS

- Handle / Scales: Anodised Aluminium
- Blade & Tools: Titanium Nitride Coated 2cr13 Stainless Steel
- Thumbstud & Screws: Black Oxide Coated

### GIFT BOX PACKAGING

Recyclable gift box.

- 244mm (H) X 152mm (W) X 34mm (D)
- Inner Carton: 6 / Outer Carton: 12



**POCKET CLIP**  
SECURELY CARRY WITH YOU EVERY DAY

**LOCK RELEASE TOOLS**  
ALLOW FOR 90° OR 180° LOCKABLE OPENING

**PLIERS + CUTTER**  
SPRING LOADED PLIERS AND WIRE CUTTERS

**DUAL-POSITION DRIVER**  
LOCKING DRIVER BIT HOLDER WITH 2X 1/4" BITS INCLUDED

**SAW BLADE**  
2CR13 TITANIUM NITRIDE CROSSCUT SAW BLADE

**AWL & OPENER**  
COMPACT & SHARP AWL & BOTTLE CAP OPENER

**70MM SHEEPSFOOT BLADE**  
2CR13 TITANIUM NITRIDE FINE EDGE SHEEPSFOOT BLADE

DIAGRAM NOT TO SCALE



TU181

# HANDYONE

The Ultimate 18-In-1 Handy Tool

HANDYONE is a knife first multi tool that includes a one-handed opening, full-size 70mm partially serrated locking knife.

With all the other essential tools hidden neatly within its stylish ergonomic skeleton style frame, including full size needle nose pliers with inset carbide cutters/wire strippers, a toughened triple point 50mm shark tooth rip saw and a magnetic bit adapter and 9 driver bits 1/4" bits in an easy organised bit holder.

Supplied with a durable, nylon carry pouch that includes a belt loop and a separate compartment that neatly stores the driver bit set.

## FEATURES

- 70mm Drop Point Blade
- Needle-Nose Pliers
- Carbide Cutters
- Triple Point Rip Saw
- File & Medium Flat Driver
- Bottle Opener & Large Phillips Driver
- Magnetic Bit Driver Adapter
- 3x Phillips, 3x Flat, 3x Hex Bits

## DIMENSIONS

- 105mm (H) X 40mm (W) X 25mm (D)
- Weight: 261 Grams

## MATERIALS

- Tools: High Grade Fine Blanked Stainless Steel
- Handle: Anodised Aircraft Grade Aluminium

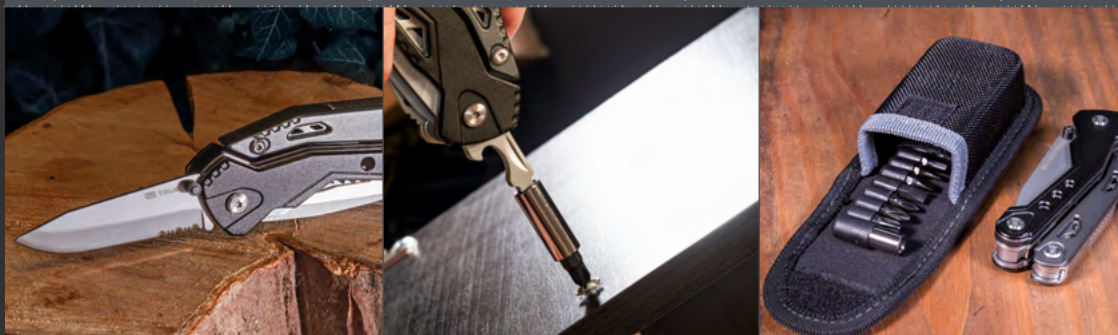
## NATRALOCK PACKAGING

Recyclable natralock packaging with eurohook slot.

- 210mm (H) X 115mm (W) X 12mm (D)
- Inner Carton: 12 / Outer Carton: 24



DIAGRAM NOT TO SCALE



TU182

# FIRERANGER

The Outdoor Survival Multi Tool

The FIRERANGER is a knife first, emergency survival multi tool. The full-size, one handed opening knife is easily accessible, and all of the other essential tools hidden neatly within it's stylish and ergonomic, skeleton style frame:

A pull-out Ferrocerium fire Striker Rod, combined with an emergency Whistle.

Full-size 70mm partially serrated locking knife with thumb stud for fast one-handed easy deployment.

Full size needle nose Pliers with inset Carbide Cutters/Wire Strippers, internally sprung for ease of use.

Fireranger boasts a toughened triple point 50mm shark tooth Rip Saw and a drop forged diamond cut double sided File.

Fully equipped with all the essentials, including a Bottle Opener, Large Flat Driver and Phillips Driver.

- NYLON CARRY POUCH INCLUDED

## DIMENSIONS

- 108/170mm (H) X 40mm (W) X 26mm (D)
- Weight: 261 Grams

## MATERIALS

- Blade & Tools: High Grade Fine Blanked Stainless Steel
- Frame: Anodised Aircraft-Grade Aluminium

## NATRALOCK PACKAGING

Recyclable natralock packaging with eurohook slot.

- 270mm (H) X 190mm (W) X 50mm (D)
- Inner Carton: 12 / Outer Carton: 24



DIAGRAM NOT TO SCALE





TU180K

# SEVEN

## High Quality, Super Compact Multi Tool

The SEVEN is a must-have multitool, equipped with 9 handy functions to help you tackle the day. Made from high grade fine blanked stainless steel and anodised aircraft grade aluminium handle, this reliable multitool is durable and easy to use.

Equipped with a quick release carabiner clip means Seven can attach to your keyring, bag or person for ease of access. Perfect for everyday tasks such as tightening screws or opening boxes.

### DIMENSIONS

- 85 / 123mm (H) X 30mm (W) X 15mm (D)
- Weight: 102 Grams

### FEATURES

- Non-Locking Drop Point Blade
- Needle-Nose Pliers
- Wire Cutters
- Rip Saw
- File & Medium Flat Driver
- Bottle Opener & Phillips Driver

### MATERIALS

- Tools: High Grade Fine Blanked Stainless Steel
- Handle: Anodised Aircraft Grade Aluminium

### NATRALOCK PACKAGING

Free Keyring natralock packaging with hanging slot.

- 181mm (H) X 80mm (W) X 17mm (D)
- Inner Carton: 8 / Outer Carton: 80



DIAGRAM NOT TO SCALE



TU195K

# MINIMULTI

All Your Essentials In One Tool

Small, strong, and packed with tools - the stylish MINIMULTI packs in a tremendous array of essential tools.

Giving you everything you are likely to need; including pliers and wire cutters, large and medium flat screwdrivers, Phillips screwdriver, scissors, saw, bottle opener, and non-locking knife (UK legal carry).

## FEATURES

- Medium & Large Flat Drivers
- Phillips Driver
- Micro Scissors
- Rip Saw
- Bottle Opener
- Non-Locking Blade
- File
- Pliers & Wire Cutters

## DIMENSIONS

- 84mm (H) X 30mm (W) X 12mm (D)
- Weight: 79 Grams

## MATERIALS

- Frame: 420 Grade Stainless Steel

## NATRALOCK PACKAGING

Free Keyring natralock packaging with hanging slot.

- 181mm (H) X 80mm (W) X 14mm (D)
- Inner Carton: 8 / Outer Carton: 80

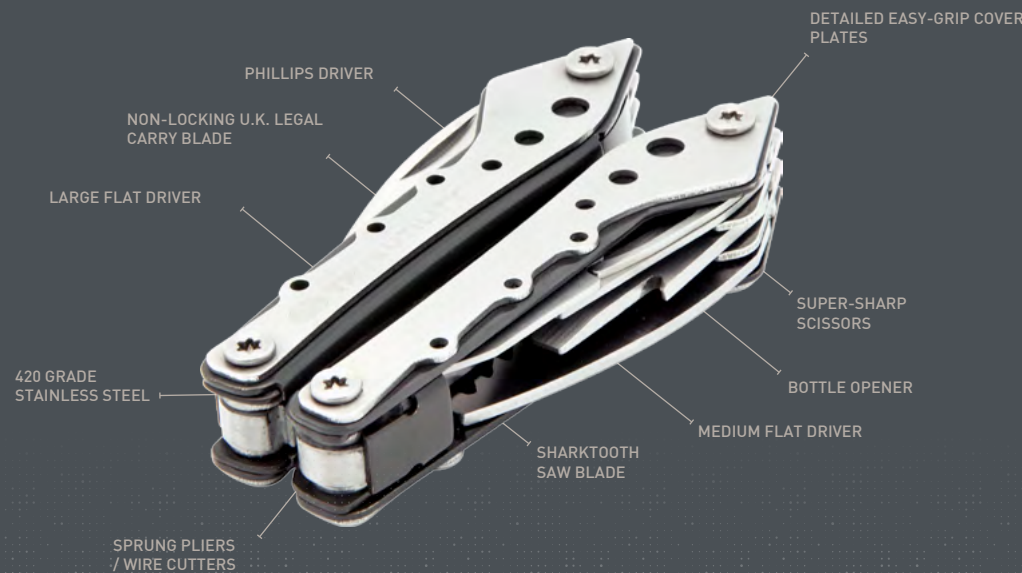


DIAGRAM NOT TO SCALE



TU204K

# SCARAB

## 7 Tools In 1. Unique Folding Design Multi Tool

The Scarab multi tool has a unique contoured folding handle design makes this tool comfortable to use and very compact. Whether open or closed, it's guaranteed to look like the beetle itself. It is crafted from super strong and lightweight 420 grade stainless steel, adding to the characteristics of the beetle.

As a whole, the Scarab is an incredibly efficiently designed multi tool, including a range of functions in such a discreet way, whilst achieving an incredible aesthetic.

### DIMENSIONS

- 88mm (H) X 27mm (W) X 16mm (D)
- Weight: 101 Grams

### FEATURES

- Serrated Needle-Nosed Pliers
- Wire Cutters
- Flat Driver
- Phillips Driver
- Fingernail Cleaner & File
- Non-Locking Blade

### MATERIALS

- Frame: 422 Grade Stainless Steel

### NATRALOCK PACKAGING

Free Keyring natralock packaging with hanging slot.

- 181mm (H) X 80mm (W) X 19mm (D)
- Inner Carton: 8 / Outer Carton: 80

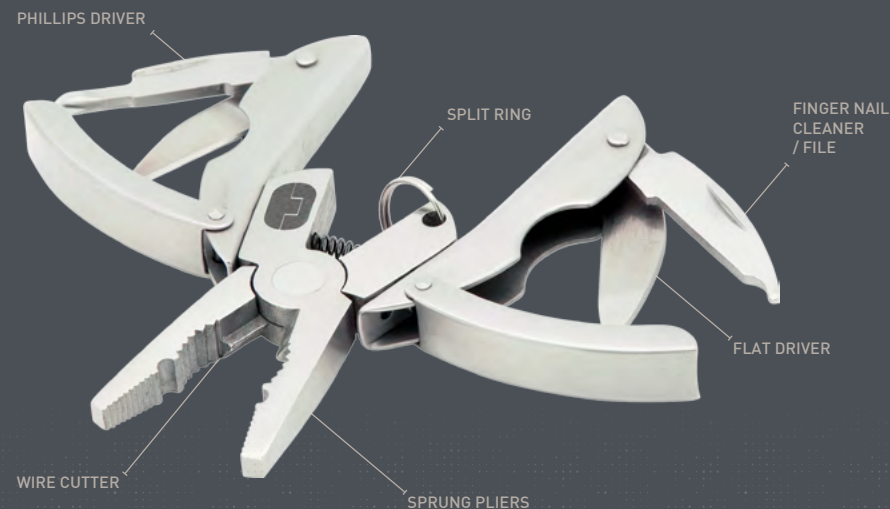


DIAGRAM NOT TO SCALE



TU289K

# LASERLITE+

## Powerful Led Torch & Red Laser Beam

LASERLITE+ is a powerful LED torch and class 2 EU certified red laser pointer in one perfectly engineered, lightweight anodised aircraft grade aluminium body.

With the press of a button, the Laserlite+ produces a precise class 2 EU certified red laser beam for accurately pointing, or just annoying the cat!

### FEATURES

- 10+ Lumen White LED Bulb
- EU Certified Class 2 Red Laser
- Easy-Grip Design
- 3x LR41 Batteries Included
- Keyring Attachment

### DIMENSIONS

- 79mm (H) X 16mm (W) X 16mm (D)
- Weight: 19 Grams

### MATERIALS

- Body: Anodised Aircraft Grade Aluminium

### NATRALOCK PACKAGING

Free Keyring natralock packaging with hanging slot.

- 181mm (H) X 80mm (W) X 18mm (D)
- Inner Carton: 8 / Outer Carton: 80

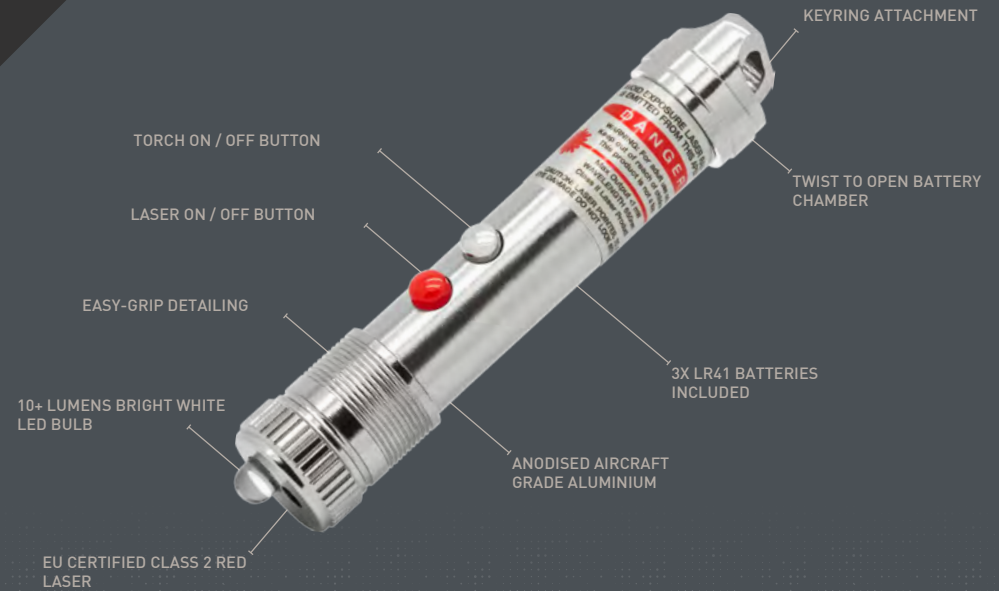


DIAGRAM NOT TO SCALE



TU312K

# MICRO AAA

The World's Smallest AAA Powered Flashlight!

MICRO AAA is the smallest AAA battery powered torch in the world. Featuring LED bulb technology, simply twist the head to shine a powerful 50 lumens of bright white light. Micro AAA runs on a single AAA battery, making the torch itself incredibly small.

Micro AAA features dual rubber 'O' ring seals for super smooth on/off operation and water resistance.

## FEATURES

- 50 Lumen White LED Bulb
- 1.5 Hour Runtime
- Easy-Grip Design
- Water Resistant
- 1x AAA battery Included
- Keyring Attachment

## DIMENSIONS

- 66mm (H) X 16mm (W) X 16mm (D)
- Weight: 11 Grams

## MATERIALS

- Body: Anodised Aircraft Grade Aluminium

## NATRALOCK PACKAGING

Free Keyring natralock packaging with hanging slot.

- 181mm (H) X 80mm (W) X 18mm (D)
- Inner Carton: 8 / Outer Carton: 80



DIAGRAM NOT TO SCALE



TU918K

# CLIIPLITE

## Keyring Clip & Rechargeable Light

The CLIIPLITE is a black Titanium coated stainless steel quick release U.S. Military style clip with a powerful rechargeable C.O.B light that features four modes: Low/High, Red & Red hazard flashing mode.

Premium cowhide keyring fob with engraved, dark chrome plated 38mm split ring attachment.

### FEATURES

- 47 Lumen C.O.B Worklight
- Genuine Cowhide Leather Fob
- Dark Chrome Etched Keyring
- 4 Power Modes inc Red Flash
- Quick-Release Carabiner Clip
- Accessory Loop
- USB Rechargeable

### DIMENSIONS

- 130mm (H) X 34mm (W) X 16mm (D)
- Weight: 56 Grams

### MATERIALS

- Clip: Black Titanium Coated 420 Grade Stainless Steel
- Fob: Premium Cowhide Leather

### NATRALOCK PACKAGING

Free Keyring natralock packaging with hanging slot.

- 181mm (H) X 80mm (W) X 18mm (D)
- Inner Carton: 8 / Outer Carton: 80



DIAGRAM NOT TO SCALE



TU919K

# BUTTONLITE

## Personal Hands-Free Rechargeable Light

The **BUTTONLITE** is a fully rechargeable, super powerful mini task light that attaches to your bag, shirt, trousers or keychain.

The 4 light modes give you High power, Low power, Red light and Red hazard warning features at your fingertips.

### FEATURES

- 47 Lumen C.O.B Worklight
- 4 Power Modes inc Red Flash
- Quick-Release Carabiner Clip
- Accessory Loop
- USB Rechargeable

### DIMENSIONS

- 43mm (H) X 34mm (W) X 16mm (D)
- Weight: 28 Grams

### MATERIALS

- Body: Black Titanium Coated 420 Grade Stainless Steel

### NATRALOCK PACKAGING

Free Keyring natralock packaging with hanging slot.

- 181mm (H) X 80mm (W) X 18mm (D)
- Inner Carton: 8 / Outer Carton: 80

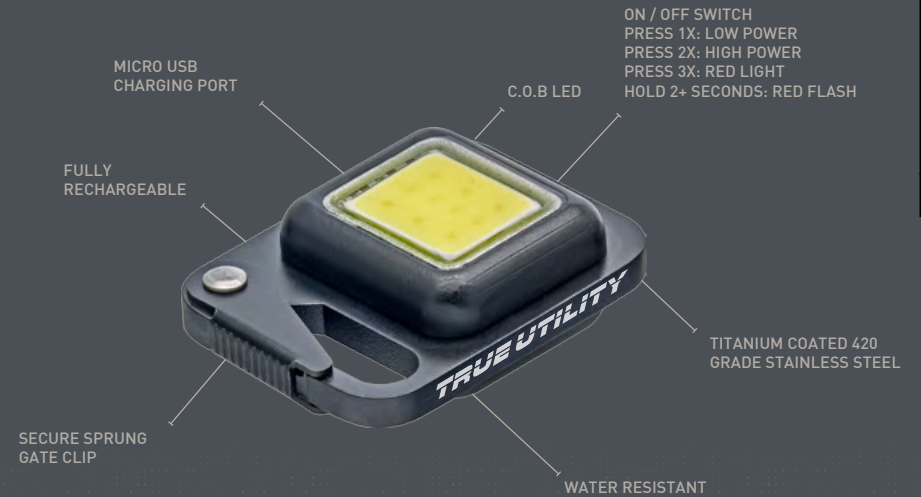


DIAGRAM NOT TO SCALE



TU211K

# LASERLITE

## Powerful Led Torch & Red Laser Beam

The LASERLITE is a two function torch, combining a red laser beam with a powerful LED torch. Never be stuck in the dark again when equipped with this useful everyday carry.

The laser is a CE Certified Grade 2 beam, whilst the torch features an impressive 8+ lumen LED bulb.

### FEATURES

- 8 Lumen White LED Bulb
- EU Certified Class 2 Red Laser
- Removeable Steel Pen Clip
- 50 Hours Runtime
- Keyring Attachment

### DIMENSIONS

- 43mm (H) X 34mm (W) X 16mm (D)
- Weight: 28 Grams

### MATERIALS

- Body: Satin Coated Brass

### NATRALOCK PACKAGING

Free Keyring natralock packaging with hanging slot.

- 181mm (H) X 80mm (W) X 15mm (D)
- Inner Carton: 8 / Outer Carton: 80

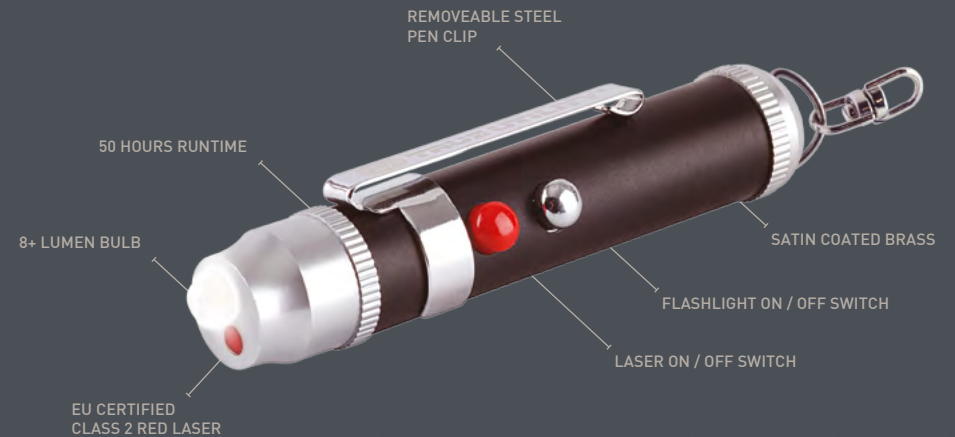


DIAGRAM NOT TO SCALE





TU262K

# FIRESTASH

## Small, Waterproof Keyring Lighter

The FIRESTASH is an unbelievably small waterproof keyring canister, that houses a fully working lighter. It is ready to ignite at your command.

Attach to your keyring for essential outdoor use.

Refill with standard lighter fluid.

### FEATURES

- Waterproof
- Refillable With Standard Lighter Fluid
- Dark Chrome Coating
- Keyring Attachment

### DIMENSIONS

- 45mm (H) X 15mm (W) X 15mm (D)
- Weight: 27 Grams

### MATERIALS

- Body: Dark Chrome Plated Alloy Casing

### NATRALOCK PACKAGING

Free Keyring natralock packaging with hanging slot.

- 181mm (H) X 80mm (W) X 15mm (D)
- Inner Carton: 8 / Outer Carton: 80

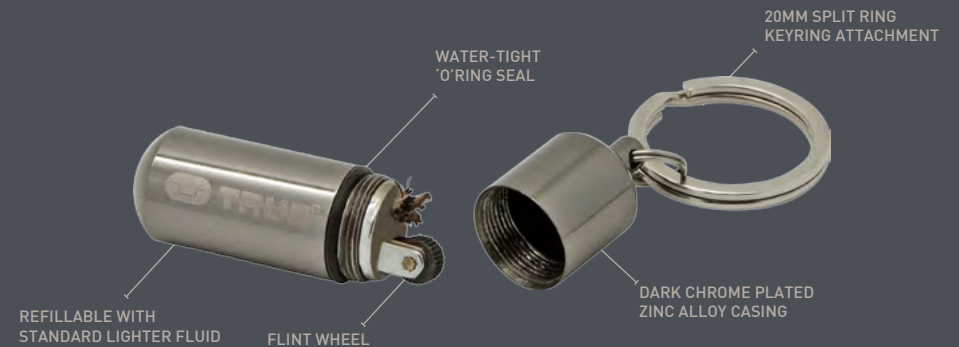


DIAGRAM NOT TO SCALE



TU407K

# TURBOJET FIREWIRE

## Powerful & Windproof Turbojet Lighter

The **TURBOJET FIREWIRE** is a stylish lighter with windproof TurboJet® flame technology.

With its one handed opening mechanism and height adjustable flame, it couldn't be easier to use.

Refillable with lighter gas.

### FEATURES

- Windproof Turbojet Flame Technology
- Refillable With Standard Lighter Gas
- Adjustable Flame Height
- One-Handed Opening

### DIMENSIONS

- 70mm (H) X 35mm (W) X 25mm (D)
- Weight: 73 Grams

### MATERIALS

- Body: Cast Metal Alloy
- Trim: Plastic

### NATRALOCK PACKAGING

Free Keyring natralock packaging with hanging slot.

- 181mm (H) X 80mm (W) X 27mm (D)
- Inner Carton: 8 / Outer Carton: 80

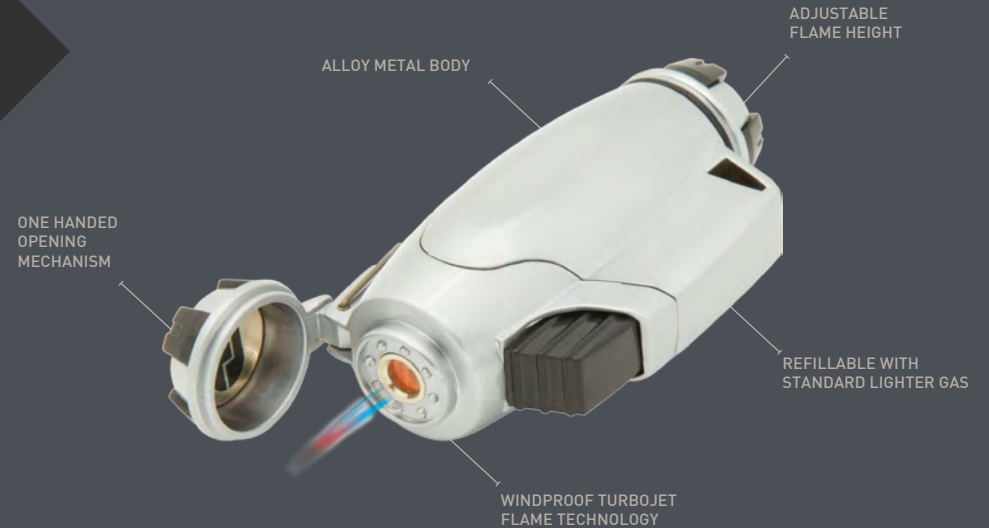


DIAGRAM NOT TO SCALE



TU590POS

# CRAFTY DISPLAY

Personal Utility Knife

**DIMENSIONS**

- 270mm (H) X 205mm (W) X 205mm (D)

**PACKAGING**

Display Holds 10x Crafty Natralock Packs

- Inner Carton: 18 / Outer Carton: 36



TU6780POS

# KNIFE+ DISPLAY

Folding Utility Knife

**DIMENSIONS**

- 200mm (H) X 260mm (W) X 280mm (D)

**PACKAGING**

Display Holds 8x Knife+ Natralock Packs

- Inner Carton: 18 / Outer Carton: 36



8HKKR

# 8 HOOK DISPLAY

## Eight Hook Multi Keyring Pack Display

This custom built, freestanding display with 8x standard eurohooks, showcases True Utility at it's very best, enabling customers to pick and pay.

The display is built using a minimalist and lightweight, yet strong wire frame, with integrated hooks and a curved backing card. Our minimalist stand design with it's chrome vinyl logo branding makes our redesigned product packaging really stand out in-store.

### DIMENSIONS

- 485mm (H) X 402mm (W) X 195mm (D)

### PACKAGING

Display Holds 8x TRUE Free Keyring Packs

- Inner Carton: 1



8HKRR

# FREESTANDING DISPLAY

## Metal Hooked and Shelved Display Unit

This single sided freestanding display unit is the ideal in-store solution for giving True Utility maximum brand exposure with limited floor space. Allow your customers to browse all of your best-selling True Utility products in one convenient location.

The stand can hold up to 4 shelves, and is supplied with 4 eurohooks. The display also has 2 metal clip strips on the side to hold additional products or promo materials. Stock the stand with a selection of our best selling point of sale displays and watch them fly off the shelves.

### DIMENSIONS

- 1710mm (H) X 300mm (W) X 380mm (D)

### PACKAGING

- Inner Carton: 1





TRUE<sup>®</sup>

CATALOGUE 2023

ALIIANCE CONSUMER GROUP INTERNATIONAL  
Unit 2, The GP Centre  
Yeoman Road, Ringwood  
Hants, BH24 3FF, UK  
+44 (0) 1202 768883  
[salesacgi@acgbrands.com](mailto:salesacgi@acgbrands.com)

Company Registration No. 6766725  
Vat Registration No. GB 943 2621 34